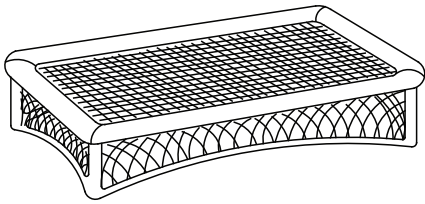
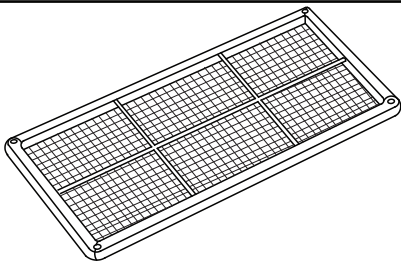


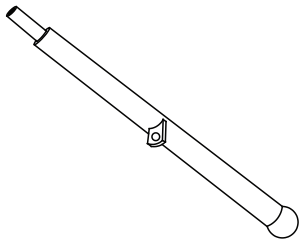
Assembly Instructions



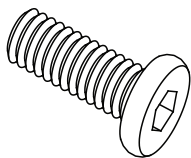
A: 1PC



B: 1PC



C: 4PCS

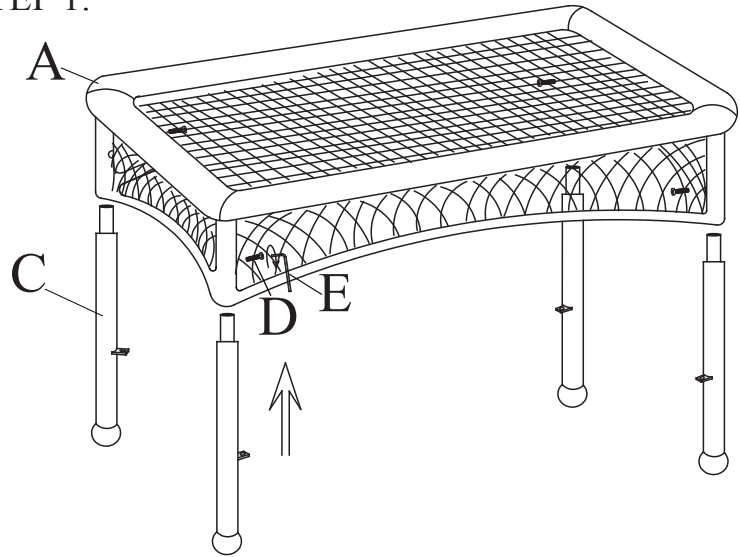


D: 8PCS



E: 1PC

STEP 1:



STEP 2:

