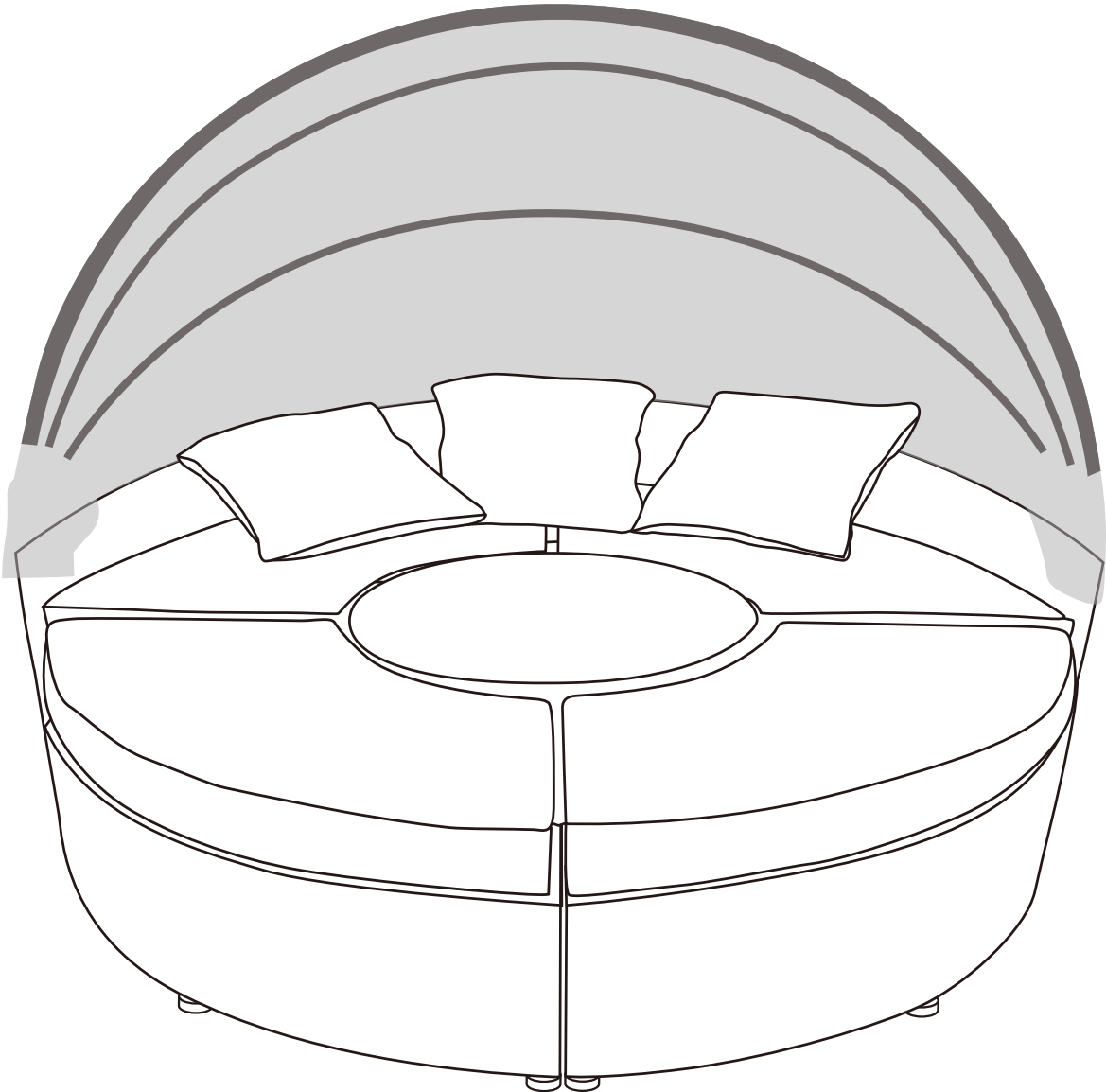


Thanks for shopping with Jeco®

# Resin-Wicker Daybed W/Cushions

SKU # WB001



# JECO

1-800-893-3006  
Ontario, CA 91761



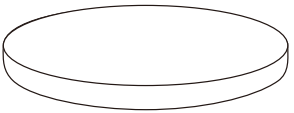
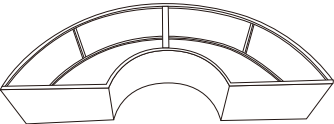
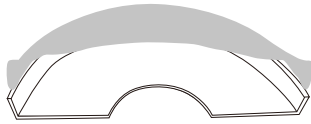
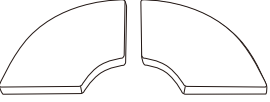
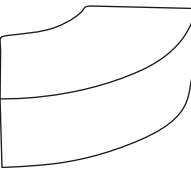
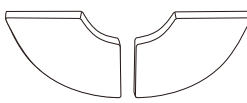
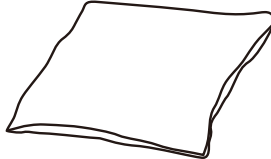
Made in China

If you have questions regarding this product, call  
1-800-893-3006 Mon.-Fri. 9:00-5:00 PST  
(California) and ask for our product specialists, or  
e-mail: [cs@jeco-inc.com](mailto:cs@jeco-inc.com)



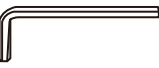
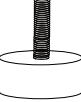

See many more products on the Internet!

**[www.jeco-inc.com](http://www.jeco-inc.com)**

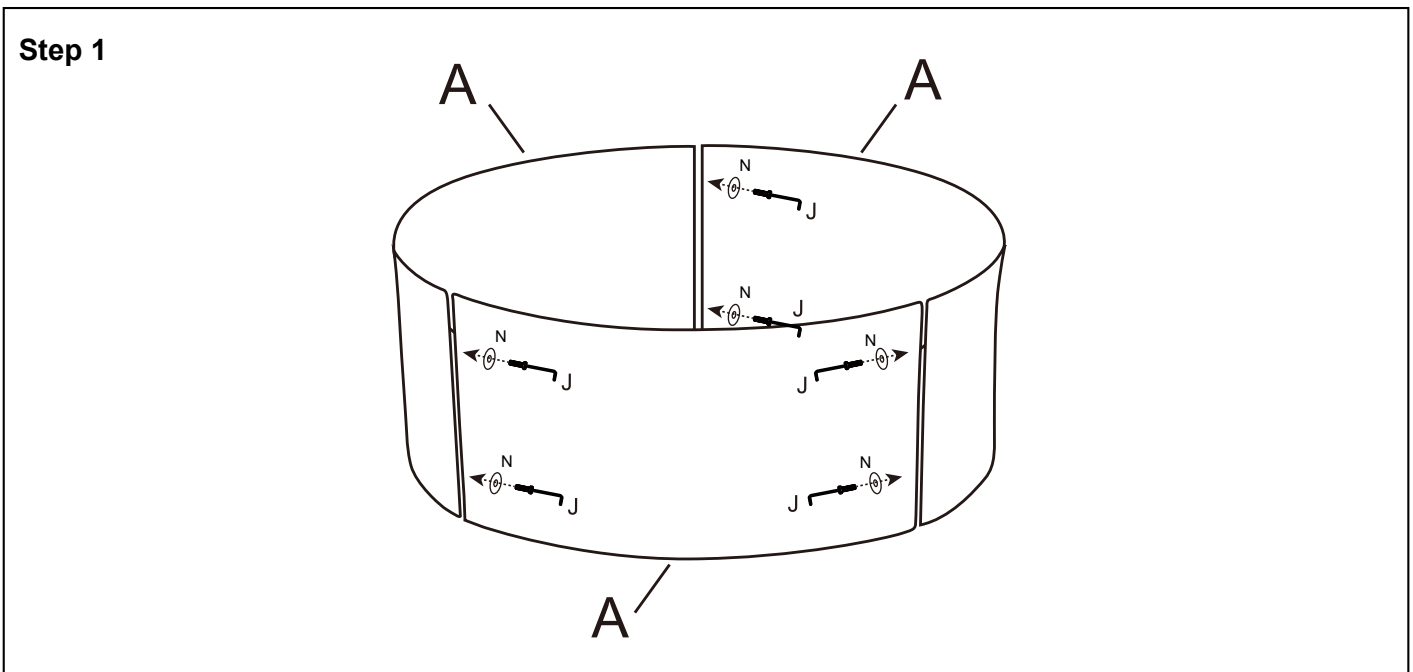
**Parts List:**

<p>A. RD Table Side Panel Qty: 3</p> 	<p>B. RD Table Top Qty: 1</p> 	<p>C. RD Table Cushion Qty: 1</p> 
<p>D. Lounge Sofa Bottom Qty: 1</p> 	<p>E. Lounge Sofa Top w/ Canopy Qty: 1</p> 	<p>F. Lounge Sofa Cushion(3"H) Qty: 2</p> 
<p>G. Single Stool Qty: 2</p> 	<p>H. Single Stool Cushion(4"H) Qty: 2</p> 	<p>M. Pillow Qty: 3</p> 

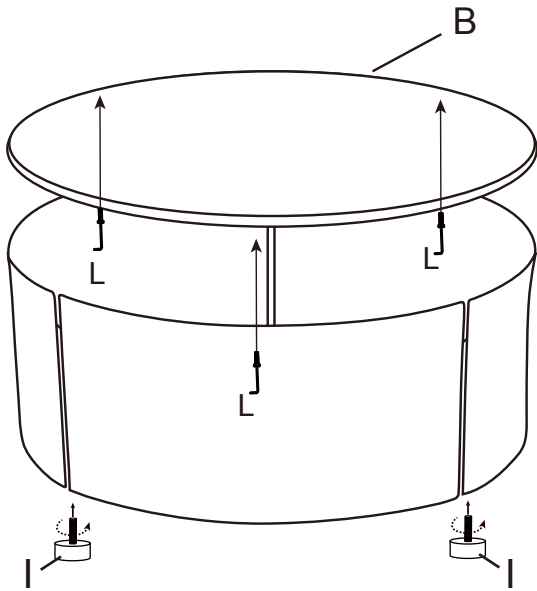
**Hardware List**

<p>L. Screw(<math>\Phi 6 \times 35 \text{mm}</math>) Qty: 9</p> 	<p>J. Screw(<math>\Phi 6 \times 20 \text{mm}</math>) Qty: 6</p> 	<p>K. Allen Key-6mm Qty: 1</p> 
<p>I. Adjustable Glider Qty: 19</p> 	<p>N. Flat Washer Qty: 15</p> 	

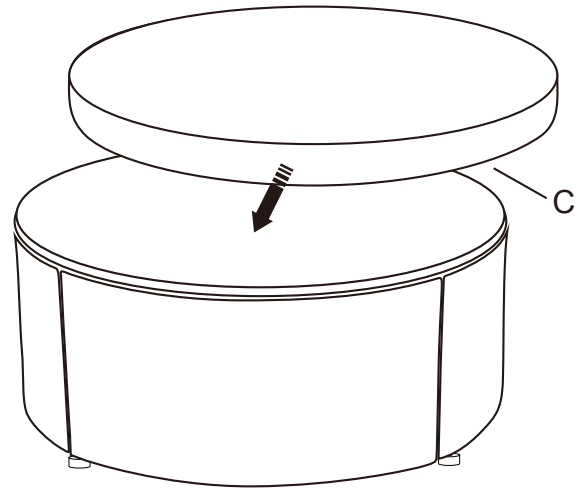
**To Assemble:**



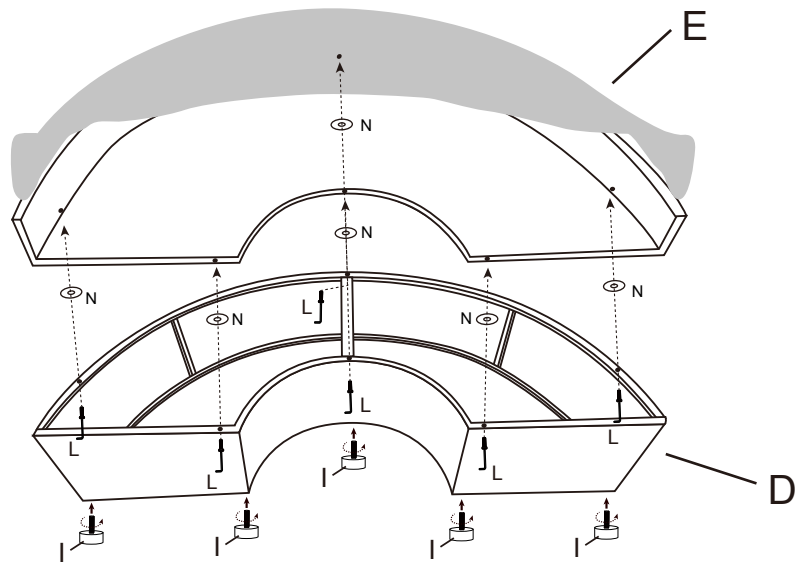
**Step 2**



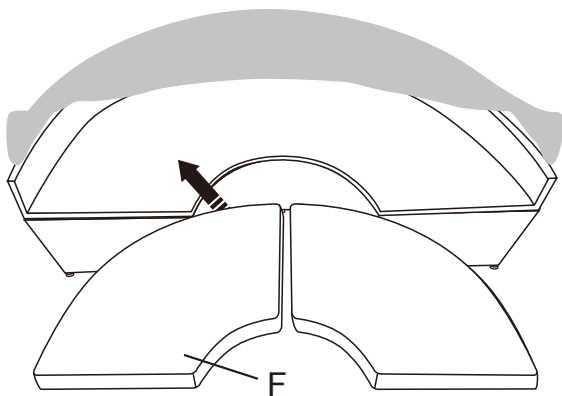
**Step 3**



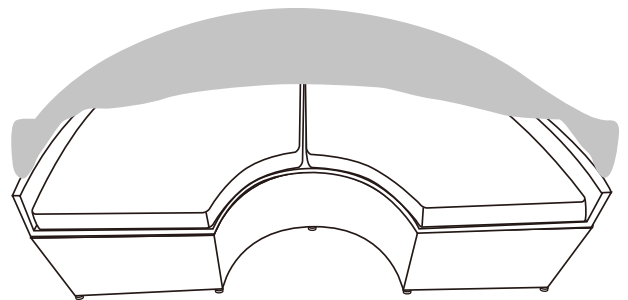
**Step 4**



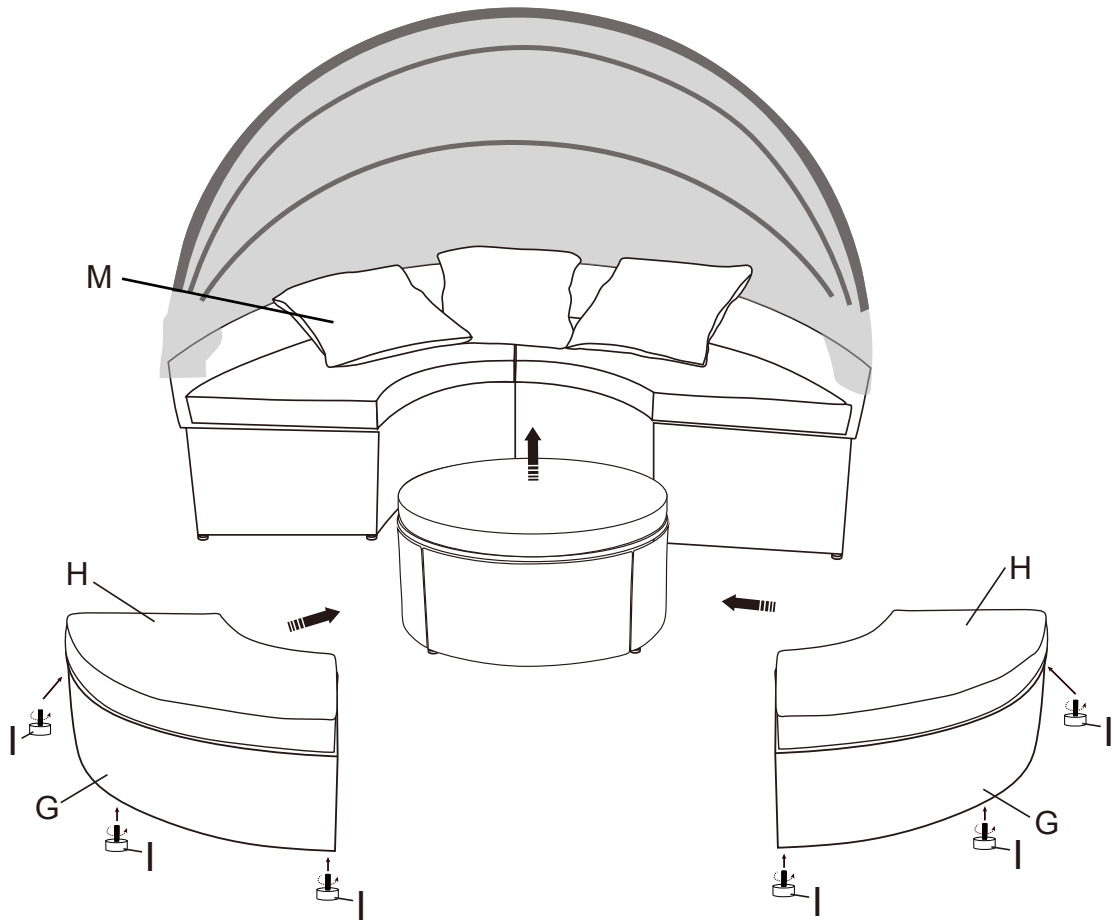
**Step 5**



**Step 6**



**Step 7**



**Step 8**

